

Product data sheet

Liquid ring vacuum pump

VZ series

Durable, quiet-running technology for a lower vacuum

Two-stage pumps in a range of designs: Close-coupled pumps and base plate pumps with mechanical seal, bracket pumps with magnetic coupling



Description

- » Liquid ring vacuum pump
- » Close-coupled pump, bracket pump or free-flying shaft
- » Single-acting mechanical seal, dual-acting mechanical seal, magnetic coupling
- » Two-stage
- » Valveless
- » Quiet-running
- » Specially selected materials and seals for application-specific designs
- » Oil-free vacuum generation
- » Use of condensed process medium as the operating liquid
- » Liquid carry over at a constant vacuum

Markets and applications

Chemical and pharmaceutical industry

- » Filtration
- » Distillation
- » Filling plants for paste media

Plastics processing

- » Manufacturing of PET
- » Extruder degasification
- » Drying of plastic granulate
- » Decontamination in PET recycling systems

Food and beverage industry

- » Degasification
- » Sterilisers
- » Vacuum cutters
- » Beverage filling plants
- » Sous-vide cooking
- » Reverse osmosis systems

Medical technology

- » Steam sterilisation systems

Get in touch with us!

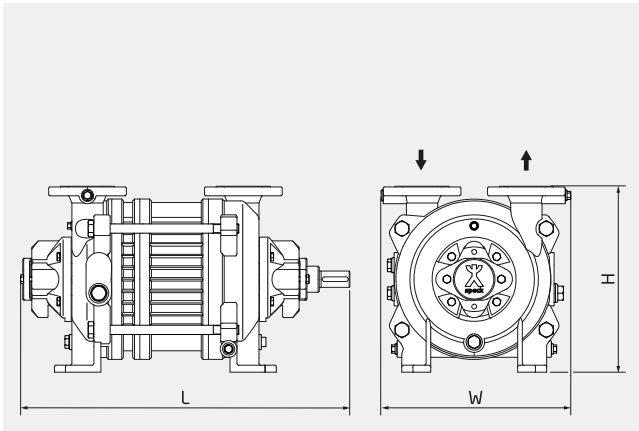
SPECK Australia
Unit 2, 6 Glory Road
Gnangara WA 6077 Australia
Phone NZ: +61 8 6201 1286

Make a non-binding enquiry

sales@speckaustralia.com

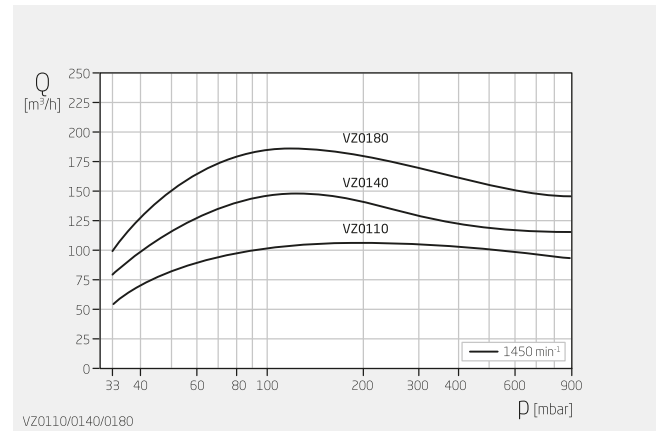
Technical data

International system of units, alternating current 50 Hz



H	320 mm
W	333 mm
L	538-638 mm

Dimensions may vary depending on the design.

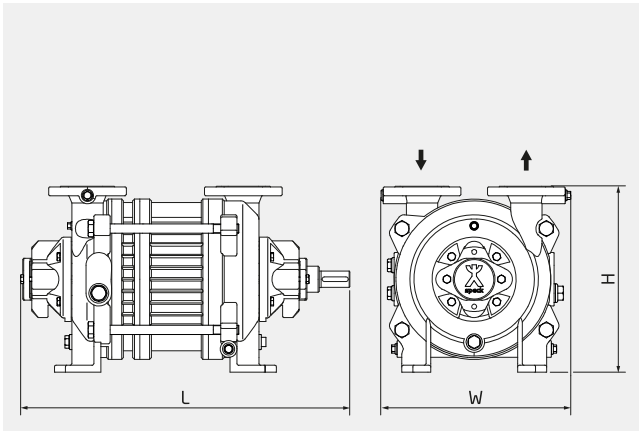


Specifications apply for dry air at 20°C at nominal speed and operating water at 15°C.

Product type	Liquid ring vacuum pump
Stages	2
Shaft sealing/coupling	Mechanical seal or magnetic coupling
Pump design	Close-coupled pump Bracket pump Free-flying shaft
Typical media	Dry and moist gases
Variable speed	Frequency-converter-compatible motor on request
Suction pressure ext.	33-800 mbar
Suction capacity	55.0-186.0 m³/h
Motor current type	3~
Type of motor	Asynchronous motor
Nominal motor power	2.9 - 4.9 kW
Nominal motor speed	1450 rpm
Suction-side connection design	Flange in acc. with DIN EN 1092 and ANSI B 16.5
Suction-side connection size	DN 40
Pressure-side connection design	Flange in acc. with DIN EN 1092 and ANSI B 16.5
Pressure-side connection size	DN 40
Material designs	Stainless steel Grey cast iron Free of non-ferrous metals
Explosion protection	None II 3G, II 3D II 2G, II 2D II 2/2G II 1/2G II 1+H2/2G

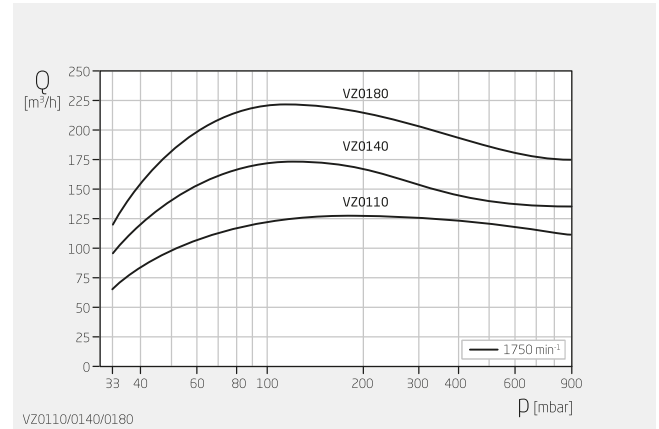
Technical data

International system of units, alternating current 60 Hz



H	320 mm
W	333 mm
L	538-638 mm

Dimensions may vary depending on the design.

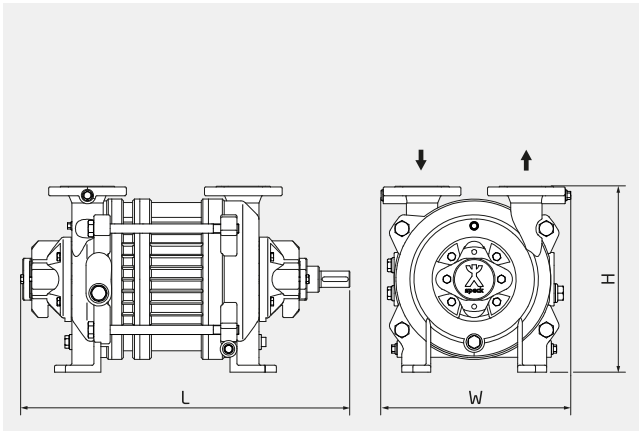


Specifications apply for dry air at 20°C at nominal speed and operating water at 15°C.

Product type	Liquid ring vacuum pump
Stages	2
Shaft sealing/coupling	Mechanical seal or magnetic coupling
Pump design	Close-coupled pump Bracket pump Free-flying shaft
Typical media	Dry and moist gases
Variable speed	Frequency-converter-compatible motor on request
Suction pressure ext.	33-800 mbar
Suction capacity	65.0-223.0 m³/h
Motor current type	3~
Type of motor	Asynchronous motor
Nominal motor power	3.7 - 6.3 kW
Nominal motor speed	1750 rpm
Suction-side connection design	Flange in acc. with DIN EN 1092 and ANSI B 16.5
Suction-side connection size	DN 40
Pressure-side connection design	Flange in acc. with DIN EN 1092 and ANSI B 16.5
Pressure-side connection size	DN 40
Material designs	Stainless steel Grey cast iron Free of non-ferrous metals
Explosion protection	None II 3G, II 3D II 2G, II 2D II 2/2G II 1/2G II 1+H2/2G

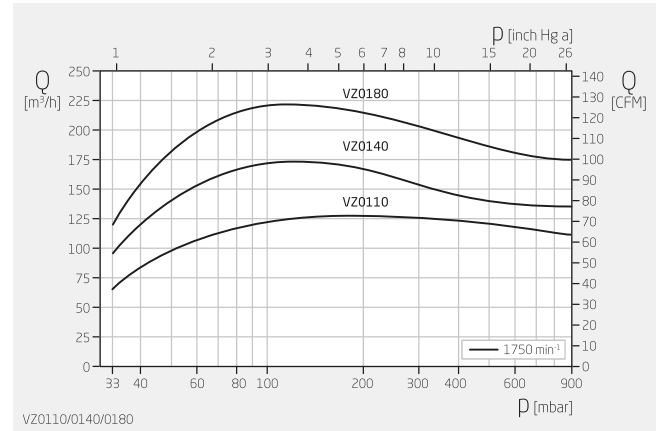
Technical data

Anglo-American system of measurement, alternating current 60 Hz



H 12,60 inch
 W 13,11 inch
 L 21,18-25,12 inch

Dimensions may vary depending on the design.



Specifications apply for dry air at 68 °F at nominal speed and operating water at 59°F.

Product type	Liquid ring vacuum pump
Stages	2
Shaft sealing/coupling	Mechanical seal or magnetic coupling
Pump design	Close-coupled pump Bracket pump Free-flying shaft
Typical media	Dry and moist gases
Variable speed	Frequency-converter-compatible motor on request
Suction pressure ext.	1.0-23.6 inHg
Suction capacity	38.3-131.3 CFM
Motor current type	3~
Type of motor	Asynchronous motor
Nominal motor power	5.0-8.4 HP
Nominal motor speed	1750 rpm
Suction-side connection design	Flange in acc. with DIN EN 1092 and ANSI B 16.5
Suction-side connection size	DN 40
Pressure-side connection design	Flange in acc. with DIN EN 1092 and ANSI B 16.5
Pressure-side connection size	DN 40
Material designs	Stainless steel Grey cast iron Free of non-ferrous metals
Explosion protection	None II 3G, II 3D II 2G, II 2D II 2/2G II 1/2G II 1+H2/2G